

INSTALLATION - SERVICE INSTRUCTIONS



Bulletin NO. 0079
PAGE 1 OF 2

July
2002

www.markwilliams.com

Part Numbers: 73000 Disc Brake Kit, MW Front spindle with mounting tab.

Parts Included:

SEE DRAWING

Primary Applications: Drag Race Dragsters and Altered F/C Race cars weight under #1800 pounds with terminal speeds under 180 mph.

Installation Overview: The spindles require the installation of the P/N 73015 tabs for customer installation. We recommend sending your spindles to MWE for mounting tab installation (P/N 31250). MWE has special locating tooling and will perform finish machining that is required to the mount.

- 1) Install the #4 drive bushing into the #2 adaptor using #3 cap screws. Use Loctite #271 stud lock and torque to 35 ft lbs.
- 2) Install #2 adaptor with bushing to the wheel using #20 3/8-16 bolts and #271 stud lock compound. Make sure the wheel is free of burs before bolting the adaptor to the wheel. Wheels that use thru bolts will require longer bolts that will grip the adaptor (not furnished). Use Grade 8 high quality bolts.
- 3) Check to make sure the #15 Drag rings are installed in the #13 D-drive buttons.
- 4) Slide the #13 drive button into the slot on the #12 brake disc. The button should slide freely without binding.
- 5) The disc with the D-Drive buttons can be placed on to the adaptor with the drive bushings. Install the #1 retaining rings on the #4 drive bushings.
- 6) Bolt the #17 caliper-mounting bracket to the spindle using #8 bolt with the #9 thin washer to the bolt head. Install the #7 thick washer and the #10 aircraft nut and torque to 35 ft lbs.
- 7) Install the wheel and disc assembly to the spindle and torque and key the wheel per the wheel manufactures instructions. The spindles can be installed with the calipers to the front or back. Check clearance and line routing options to make sure there is no interference.
- 8) Insert the #14 linings into the caliper. Slide the caliper over the disc and secure with #6 guide bolt with #7 washer to the bolt head. Torque to 20 ft lbs.
- 9) Rotate the wheel, the disc should self align. Make sure the #4 D-Driver button has clearance to the #1 retaining rings. This clearance as be as little as 1/64" but must not pushing against the retaining ring. Different length drive bushings are available for special wheel spacing distances.
- 10) Install brake lines into the lower inlet port. Install the bleed screws in the upper caliper ports. When bleeding, the bleed screw must be in the highest point or approximately the 12:00 position (to be the high point).

Maintenance Requirements: Check the disc periodically with a straight edge. If the disc becomes saucer shaped over .010" it must be replaced. Check for cracks and excessive wear (.18 minimum). The system can tolerate some out of flatness, as the disc is self-aligning. Replace the linings when the friction material is half worn (.14" remaining). Annual cleaning of the caliper is recommended by; removing the pistons, clean with methanol alcohol and replacing win new o-rings. The o-rings are -122 size, EPR 515 compound. These o-rings are available from M/W. Do not use hydraulic Buna-N o-rings, as they are not brake fluid compatible.

INSTALLATION - SERVICE INSTRUCTIONS

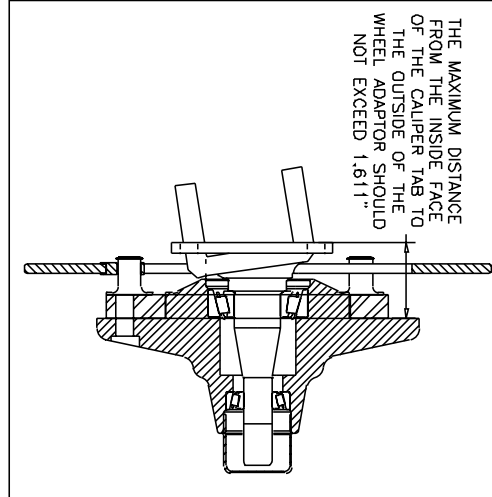
Mark Williams Enterprises

Bulletin NO. 0079

PAGE 2 OF 2

MW Part Number 73000

Disc Brake Kit, Spindle Mount



ITEM QTY	NAME	DESCRIPTION
1 10	1400-050-20	RETAINING RING
2 2	73307	FLOATER DISC TO WHEEL ADAPTER
3 20	73013	3/8"-16 x 1" CAP SCREW
4 10	73304	DRIVE BUSHING
5 2	73002	CALIPER WITH PISTONS
6 4	73010	GUIDE BOLT - CALIPER TO BRACKET
7 14	AN960-616	3/8" WASHER
8 4	NAS1106-7	3/8-24 x .829" BOLT
9 4	AN960-616L	3/8" THIN WASHER
10 4	NAS11296-6	3/8"-24 AIRCRAFT NUT
11 2	31220	MARK WILLIAMS SPINDLE (NOT INCLUDED)
12 2	73301	BRAKE DISC (STEEL)
13 10	73305	D-DRIVER BUSHING FOR SLOTTED DISC
14 4	73004	BRAKE LINING
15 10	XRC-322-SS	ROUND DRAG RING
16 2	73015	WELD ON TAB (NOT PART OF KIT)
17 2	73014	CALIPER MOUNTING BRACKET
20 10	06424234	3/8-16 1.25" GRADE 9 BOLT

