

INSTALLATION - SERVICE INSTRUCTIONS

765 South Pierce Avenue Louisville, Colorado 80027

303-665-6901 Phone 800-525-1963
www.markwilliams.com



Bulletin #101 page 1 of 4 **Hellcat Driveshaft Revision C**

May '19

PARTS INCLUDED:

761-1004...M8X1.25 - 35MM hex bolt and washer.

includes 2 bolts and 2 washers

OVERVIEW OF CHANGES:

- 1) Diameter of outer ring (MWS-675) was increased allowing for 50% more polyurethane over previous revisions. More polyurethane reduces the amount of vibration and noise transmitted from the driveshaft to the car.
- 2) Adjustability is provided by circular slots in the top of the center bearing support feet (MWS-655) and by the radii on the top and bottom of the feet. Adjustability ensures clearance between the center bearing support and other driveshaft components regardless of unique car to car factory differences.

ASSEMBLY OVERVIEW:

- 1) Install driveshaft in car and leave the center carrier bearing support bolts (761-1004) loose.
- 2) Adjust center carrier bearing support along the feet radii so that the face of the outer ring (MWS-675) is parallel to the face of the driveshaft tube when viewed from the top. Figure 1 below shows a misaligned center support, see Figure 2 for the correct orientation of the center support

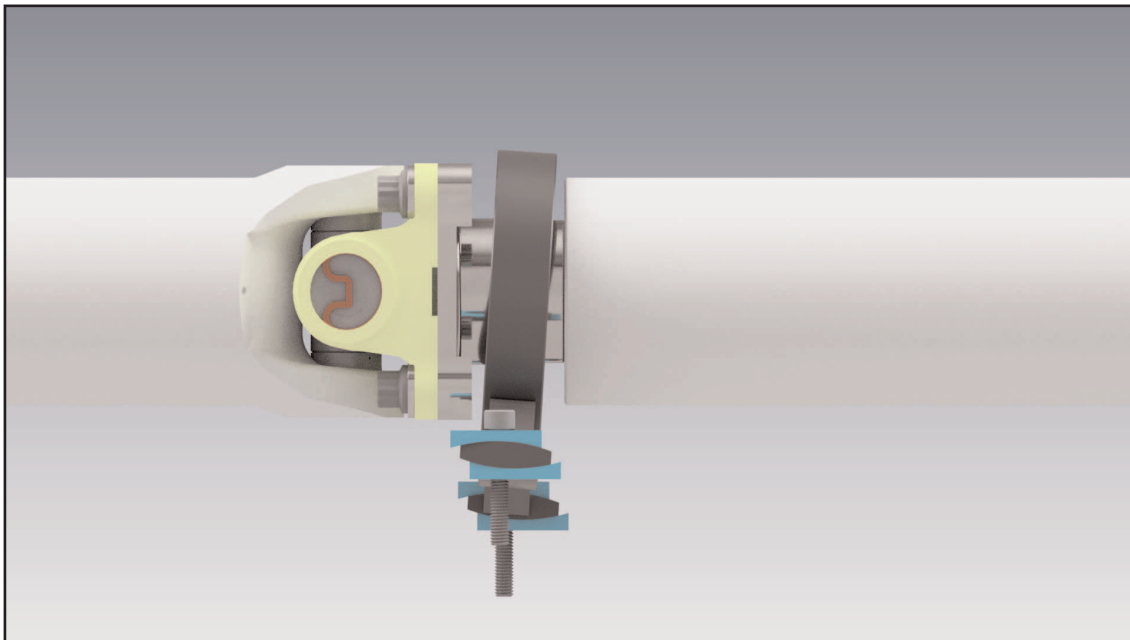


Figure 1: Misaligned Center Support

INSTALLATION - SERVICE INSTRUCTIONS

765 South Pierce Avenue Louisville, Colorado 80027

303-665-6901 800-525-1963 www.markwilliams.com

**MARK
WILLIAMS**
Enterprises

Bulletin #101 page 2 of 4 **Hellcat Driveshaft Revision C**

May '19

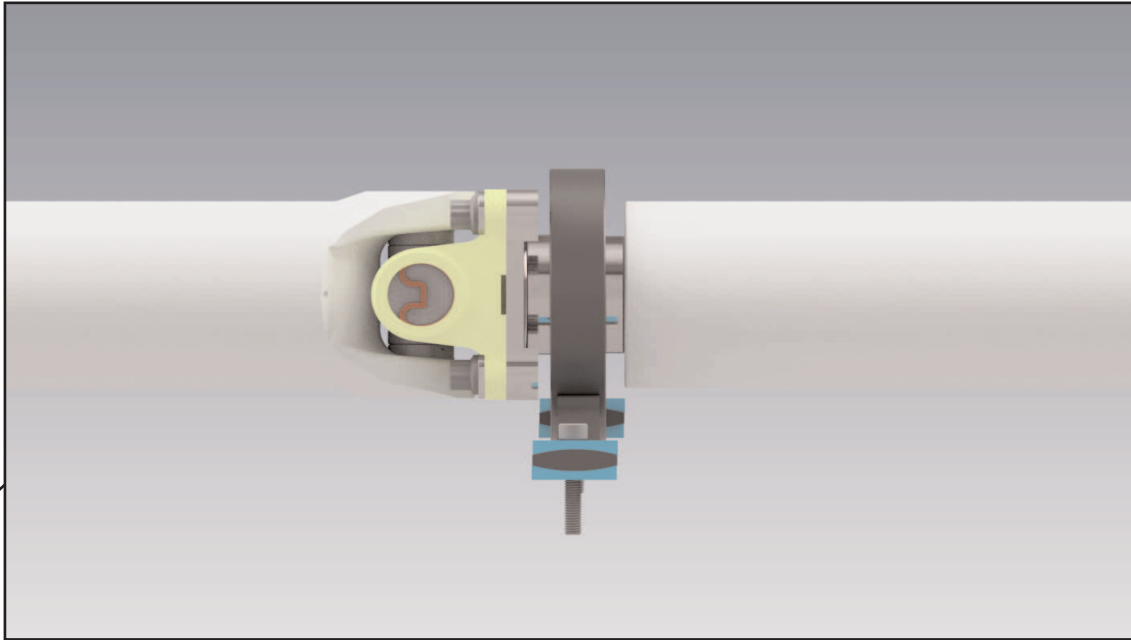


Figure 2: Aligned Center Support

3) Adjust center bearing along the circular slot so that the face of the center support is parallel to the driveshaft tube when viewed from the top. Figure 3 below shows a misaligned center support, see figure 4 for the correct orientation.

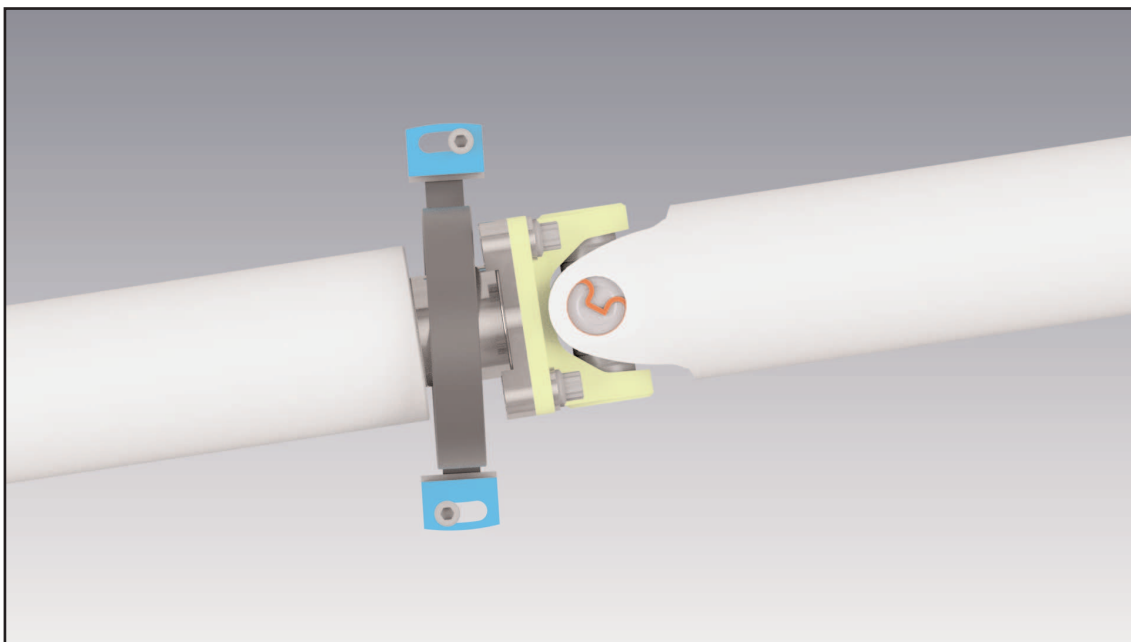


Figure 3: Misaligned Slot Center Support

INSTALLATION - SERVICE INSTRUCTIONS

765 South Pierce Avenue Louisville, Colorado 80027

303-665-6901 Phone 800-525-1963
www.markwilliams.com



Bulletin #101 page 3 of 4 **Hellcat Driveshaft Revision C**

May '19

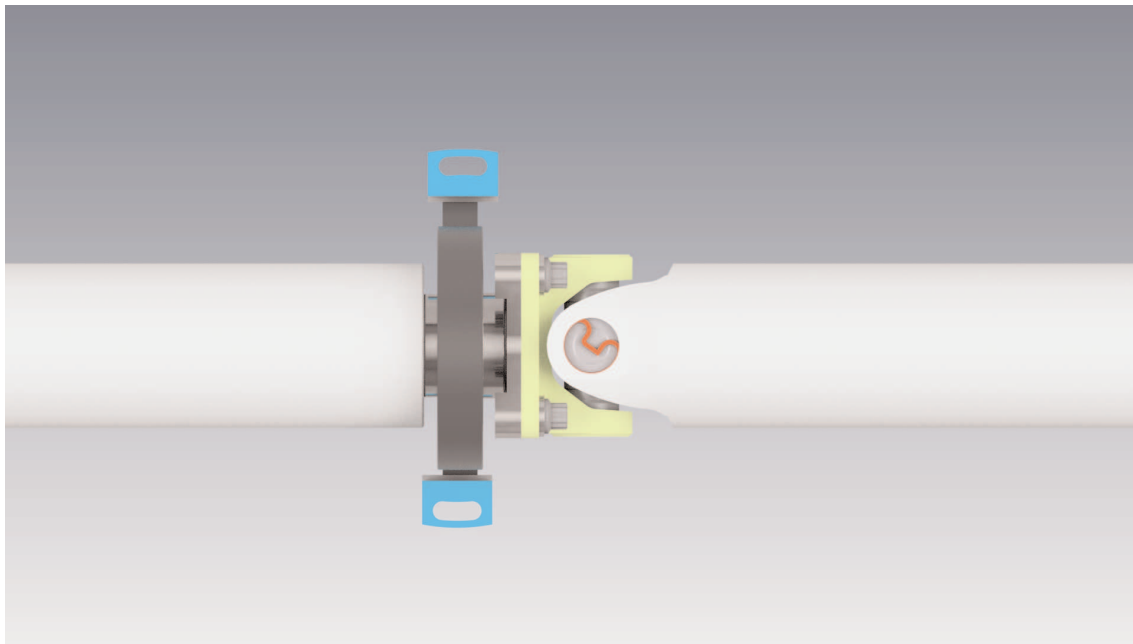


Figure 4: Aligned Slot Center Support

- 4) Tighten the center support bolts fully to secure the center carrier bearing support in place.

INSTALLATION - SERVICE INSTRUCTIONS

765 South Pierce Avenue Louisville, Colorado 80027

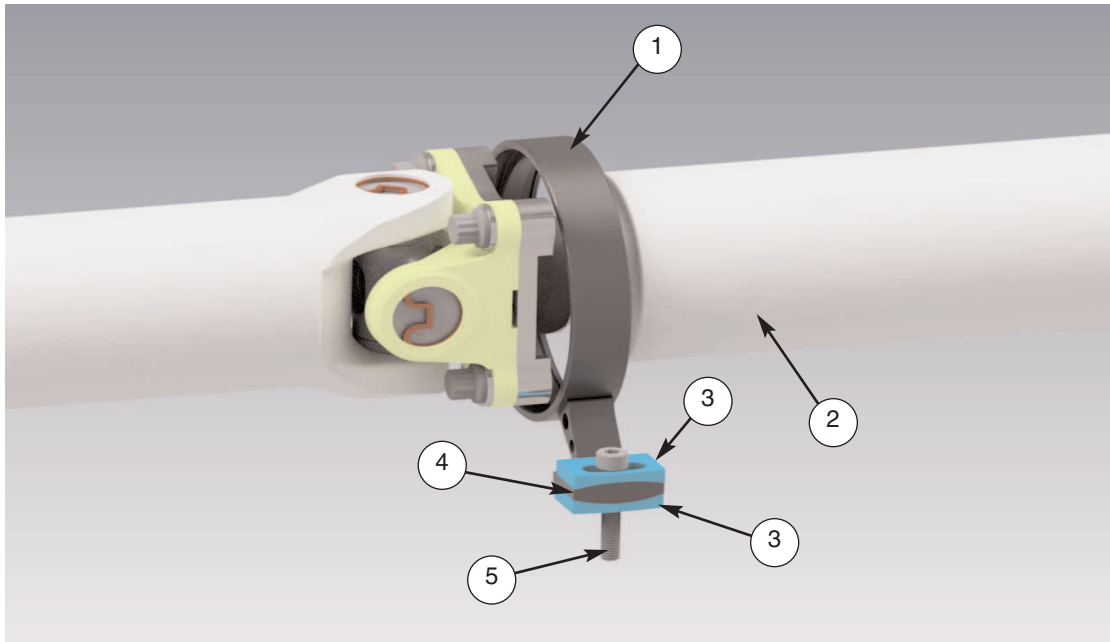
303-665-6901 Phone 800-525-1963
www.markwilliams.com



Bulletin #101 page 4 of 4 **Hellcat Driveshaft Revision C**

May '19

CENTER BEARING SUPPORT ASSEMBLY:



- 1... MWS-675 (Outer Ring)
- 2... Driveshaft Tube
- 3... MWS-656 (Center Bearing Support Feet Washers)
- 4... MWS-655 (Center Bearing Support Feet)
- 5... 761-1004 (Center Bearing Support Bolts)