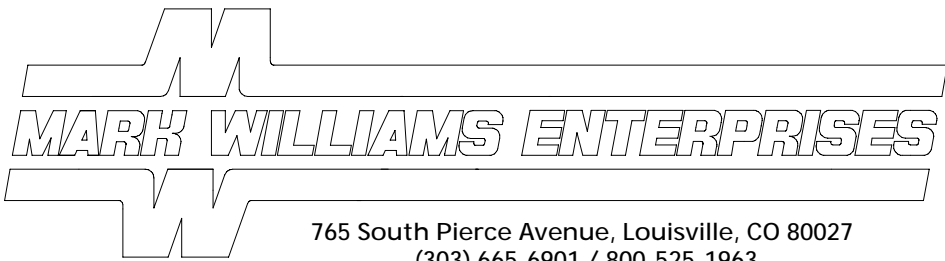


# CONTINGENCY VERIFICATION



765 South Pierce Avenue, Louisville, CO 80027  
(303) 665-6901 / 800-525-1963

SERVICE BULLETIN

NO. 0052 PAGE 1 OF 1

DISC BRAKE CONTINGENCY

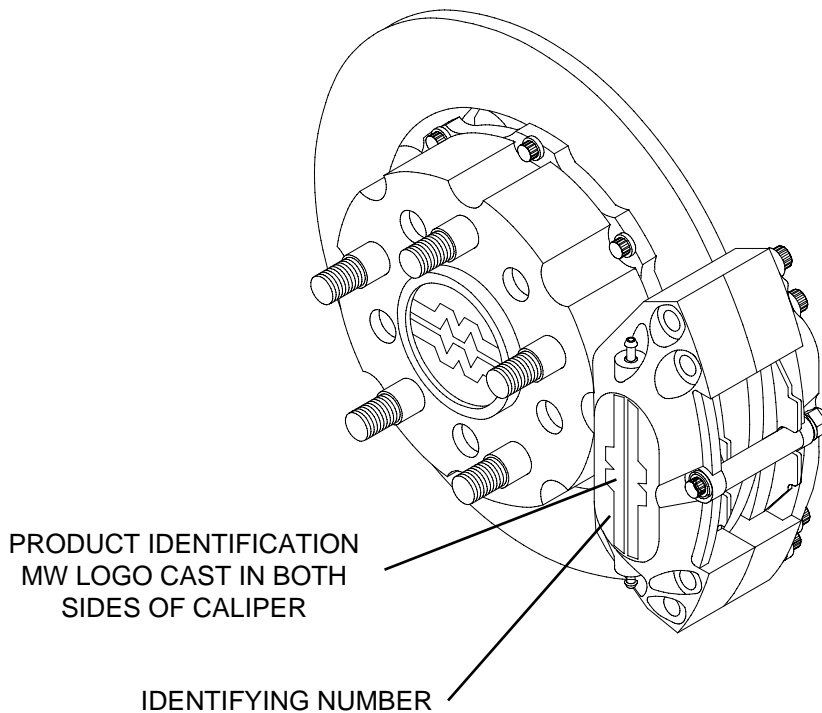
February 14, 1997

## CONTINGENCY REQUIREMENTS :

- A) *MUST HAVE COMPLETE 70000 SERIES MW Disc Brake Kit with MW CALIPERS.*
- B) *DISPLAY OF DECAL'S ON BOTH SIDES OF RACE CAR THROUGH THE ENTIRE EVENT*
- C) *MUST SUPPLY PROOF OF PURCHASE AND SUPPLY IDENTIFYING NUMBER IN CASTING.*

## VISUAL VERIFICATION :

- 1) *DISC BRAKE KIT MUST HAVE MW ALUMINUM CALIPERS WITH MW LOGO CAST ON OUTSIDE OF BOTH CALIPERS.*
- 2) *MW DECAL MUST BE DISPLAYED ON BOTH SIDES OF CAR.*



**MARK  
WILLIAMS**  
**Disc Brakes**

## DECAL DISPLAY :

- 1) *MARK WILLIAMS DISC BRAKE DECAL MUST BE DISPLAYED ON BOTH SIDES OF RACE CAR THROUGHOUT THE ENTIRE EVENT. PAINTED FACSIMILE OF DECAL IS NOT ACCEPTABLE.*
- 2) *DECALS ARE AVAILABLE UPON REQUEST AT M-W DISPLAY UNIT ON THE MIDWAY AT ALL NHRA NATIONAL EVENTS OR BY CALLING 1-800-525-1963 OR (303) 665-6901.*