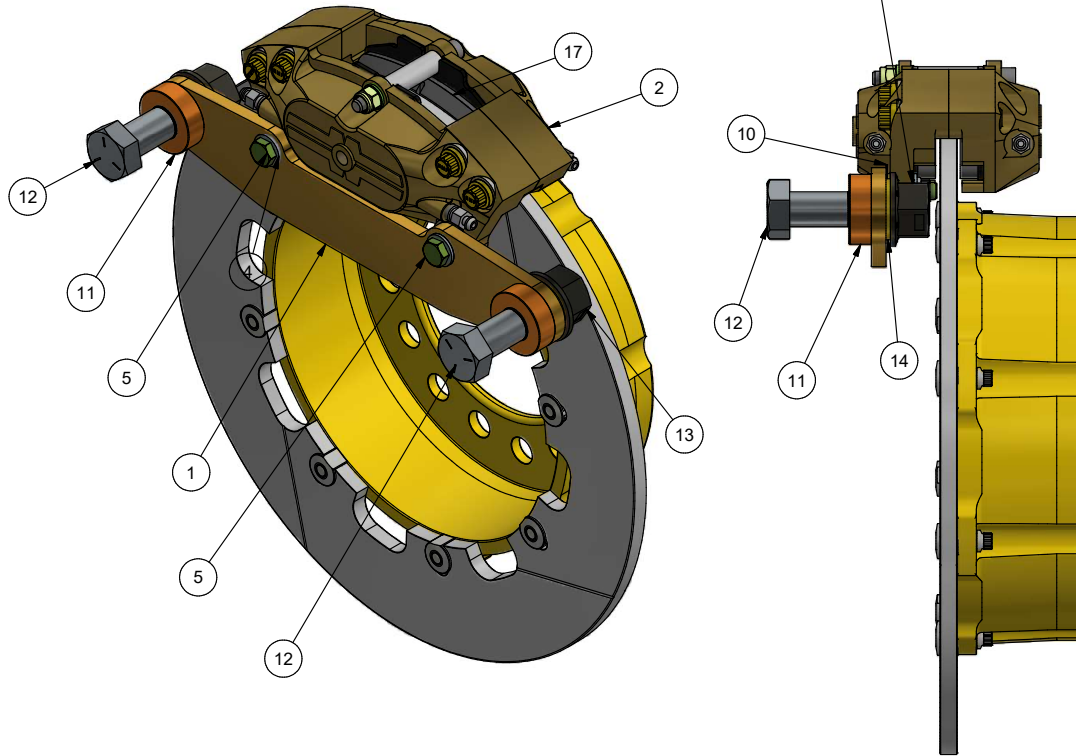
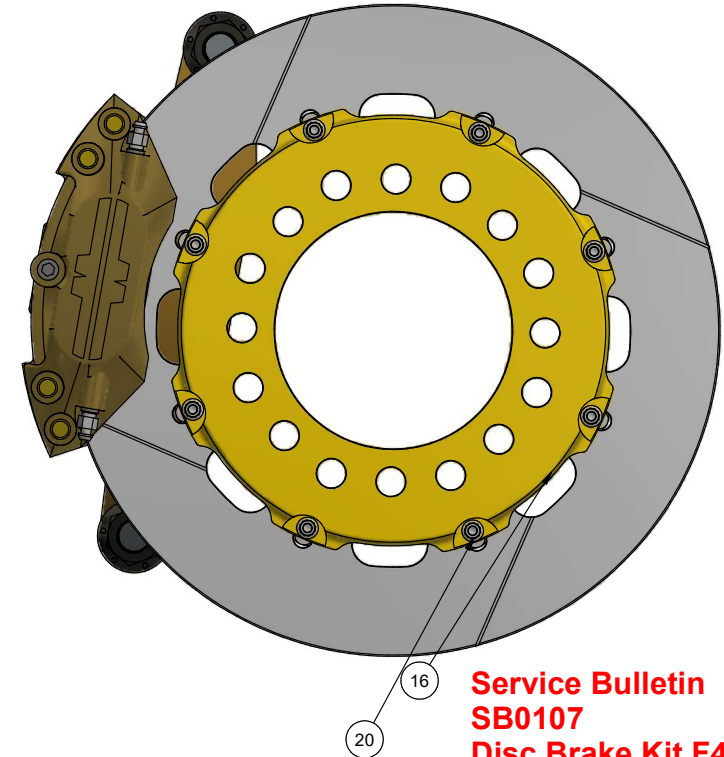


CHECK CALIPER FOR BEING CENTERED AND PARALLEL TO DISC BEFORE USING RED THREAD LOCKING COMPOUND ON NUT.



CALIPER MOUNT IN APPROXIMATELY SAME LOCATION AS OEM CALIPER




**Service Bulletin
SB0107
Disc Brake Kit F450
Ford
1 Ton Truck Knuckle**

SHEET 4

Parts List

ITEM	QTY	PART NUMBER	DESCRIPTION	FILE NAME
1	1	75905-1	BRACKET, CALIPER MOUNT, F450 KNUCKLE	004932IN.ipt
2	1	81100	CALIPER ASSEMBLY, 4 PISTON REV N OR LATER	AS0078.lam
3	2	NAS1296-6	NUT, JET TYPE 3/8-24	NAS1296-6.ipt
4	4	AN122584	WASHER, HARD 3/8 .078 THICK	AN122584.ipt
5	2	AN6-13A	BOLT, AIRFRAME 3/8 X 1.453	AN6-13A.ipt
10	4	71018	SHIM, CALIPER SPACER .015	000990IN.ipt
11	2	75905-2	SPACER, F450 KNUCKLE BRAKE	004932IN-1.ipt
12	2	218.12.48NF	3_4-16 X 3.0 BOLT HEX PLATED	218.12.48NF.ipt
13	2	214.12.13NF	STEP AP203	214.12.13NF.ipt
14	2	AN960-1218	WASHER, 5/8 AN THICK	AN960-1218.ipt
16	1	71028	ADAPTOR, BRAKE HAT F350-CUP	004855IN.ipt
17	2	81130-F350	FERODO HI-FRICTION LINING	AS004863IN.lam
18	1	71029	DISC, 14" 710XX & 759XX BRAKE KIT	004854IN.ipt
19	64	71032	BUTTON, DRIVE FOR .375" SLOTTED ROTORS	001853IN.ipt
20	8	71033	BOLT, 12 POINT BRAKE ADAPTOR	001855IN.ipt

MATERIAL	HEAT TREAT
Z7075CHF0625	NONE
PROTECTIVE FINISH	
CHROMATE	
Z:\InventorFiles\Assembly_Files\AS004932IN.lam	
STOCK INFORMATION	MACHINING TOLERANCES
BAR LENGTH CROPS WEIGHT: 4598	.XX .XXX .XXXX X
YIELDS PER BAR: NA	.015 .005 .0005 1/2
GROSS WEIGHT (PART): 746	SURFACE FINISH UNLESS NOTED VZ5



765 SOUTH PIERCE AVE, LOUISVILLE, CO 80027
THIS DOCUMENT CONTAINS PROPRIETARY INFORMATION. IT MAY NOT BE REPRODUCED, TRANSFERRED TO OTHER DOCUMENTS, DISCLOSED TO OTHERS, USED FOR MANUFACTURING OR ANY OTHER PURPOSE WITHOUT PRIOR WRITTEN PERMISSION.

004932IN.idw scottbaert 9-12-19

TITLE: 75905 F450 FORD 1 TON KNUCKLE
 DATE: 11/18/2019 PART NUMBER: 75905 ASSEMBLY CHANGE: